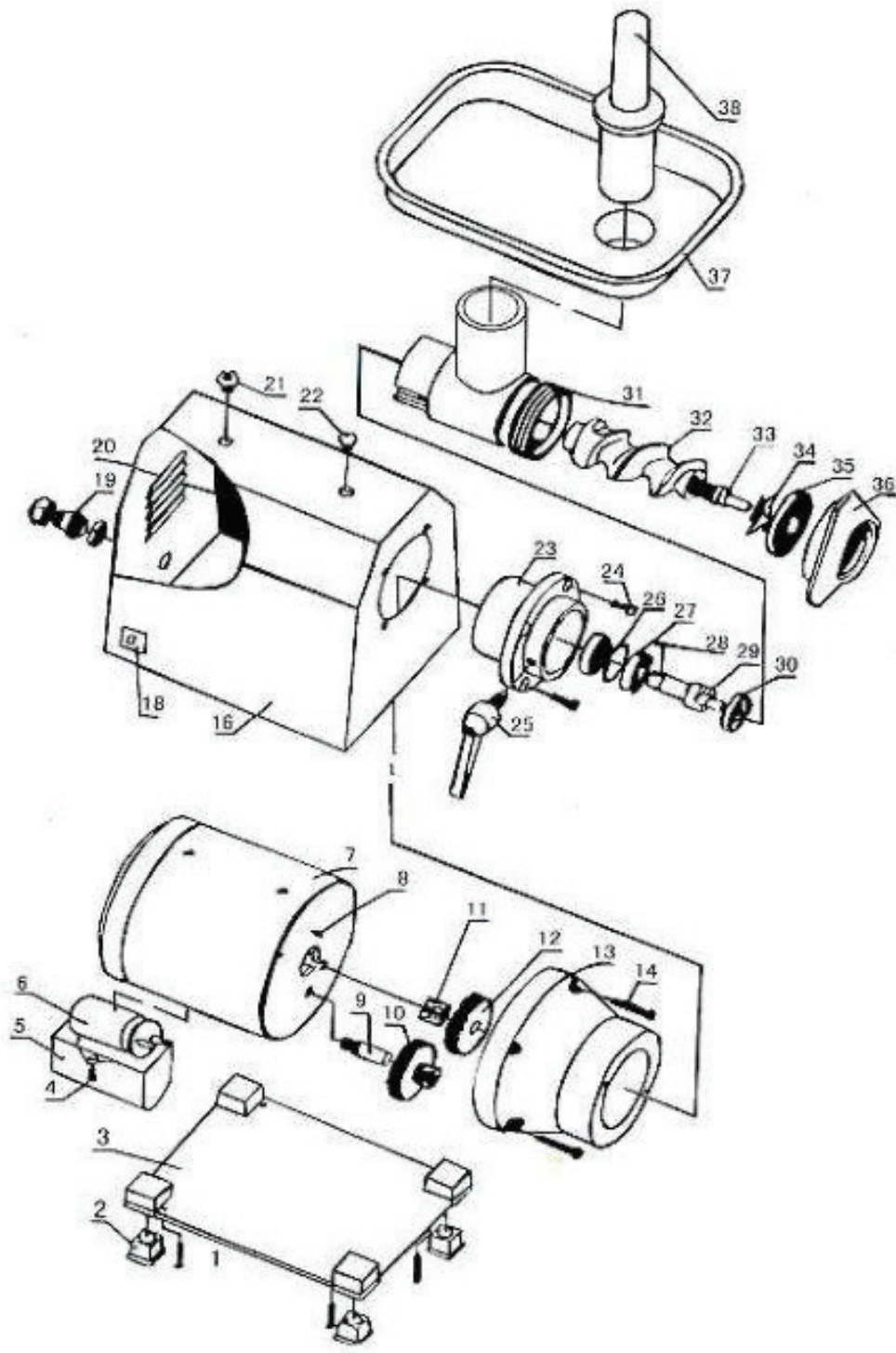


# Parts Breakdown

Model MG-CN-0012-S 23580



# Parts Breakdown

## Model MG-CN-0012-S 23580

Item No.	Description	Position	Item No.	Description	Position	Item No.	Description	Position
30953	Screw (M5x32) for 23580	1	30966	Screw (M5x40) for 23580	14	30978	Shaft for 23580	29
30954	Foot for 23580	2	30967	Case for 23580	16	30979	Seal Oil (B25x40x7) for 23580	30
30955	Bottom Plate for 23580	3	30968	Switch for 23580	18	31251	Head for 23580	31
30956	Screw (M4x8) for 23580	4	30969	Cable Clips for 23580	19	31252	Feed Screw for 23580	32
30957	Capacitor Support for 23580	5	30970	Sponge Pad for 23580	20	30980	Arbor for 23580	33
30958	Capacitor 20uF 450V for 23580	6	30971	Motor Locking Screw for 23580	21	11077	ES Machine Knife Stainless Steel #12 for 23580	34
30959	Motor for 23580	7	30972	Oil Stopper for 23580	22	11192	ES #12 HS Plate with Hub 1/8 3.2mm One Notch / Round for 23580	35
30960	Key (4x12) for 23580	8	31250	Grinder Mount for 23580	23	30983	Retaining Nut for 23580	36
30961	Shaft for 23580	9	30973	Screw (M6x20) for 23580	24	30984	Feed Pan for 23580	37
30962	Dual Gear (II:40T III:18T) for 23580	10	30974	Lock Handle for 23580	25	30985	Food Pusher for 23580	38
30963	Gear I (13T) for 23580	11	30975	Retainer Ring for 23580	26	30986	Circuit Breaker for 23580	39
30964	Gear IV (40T) for 23580	12	30976	Ball Bearing #60203 for 23580	27			
30965	Gearbox - Case for 23580	13	30977	Key (5x10) for 23580	28			